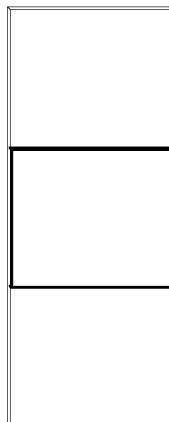
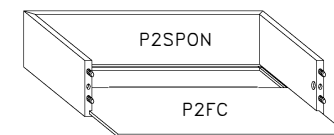
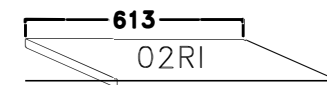
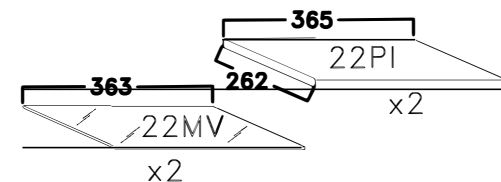
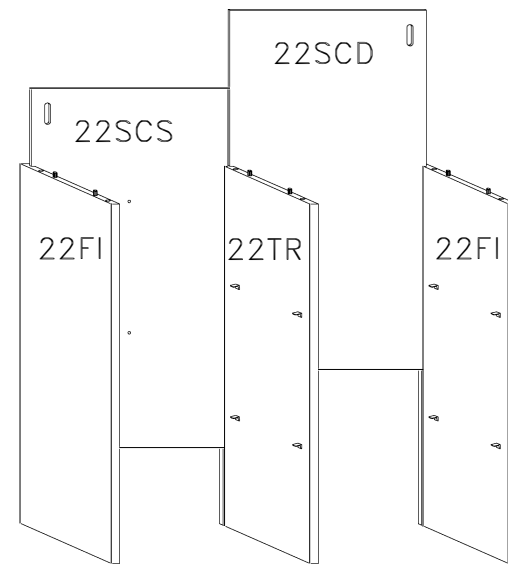
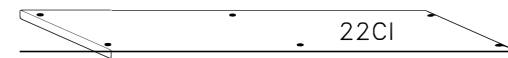
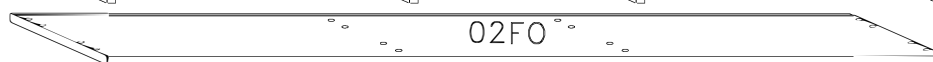
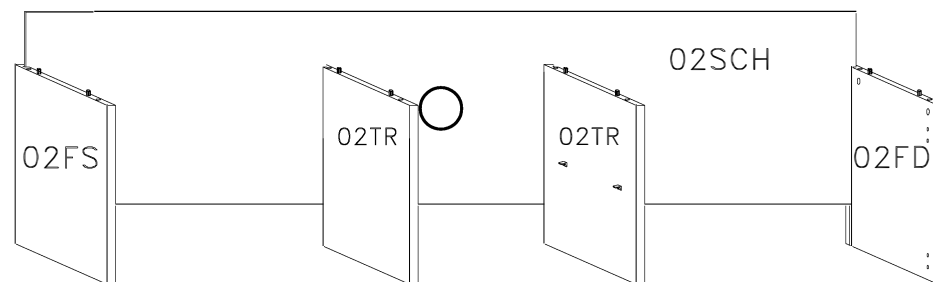
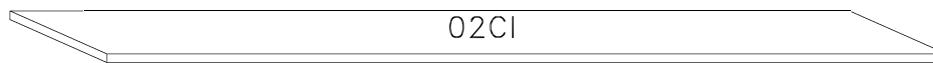
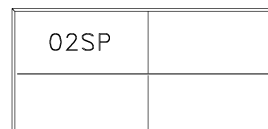
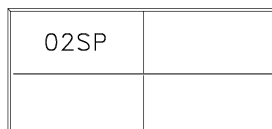
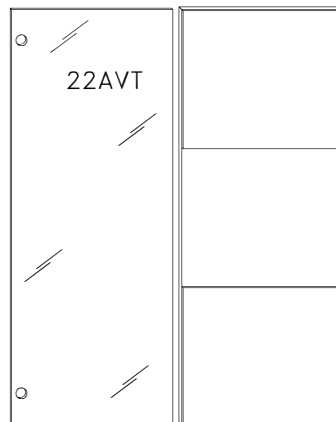
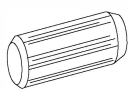


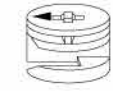

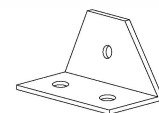
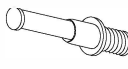


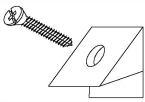



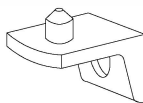
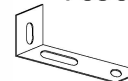

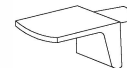


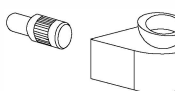
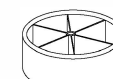
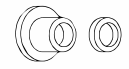

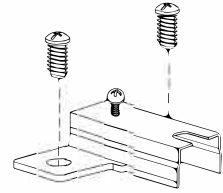
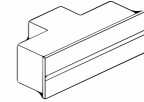
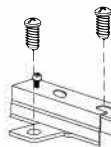

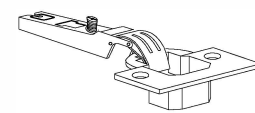
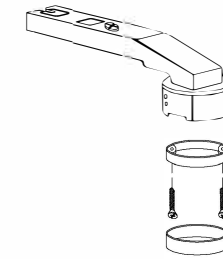
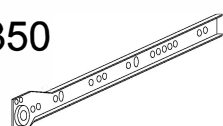
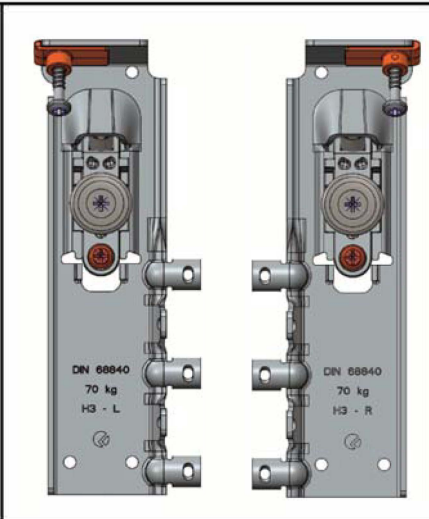
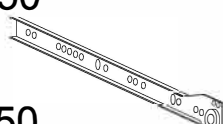

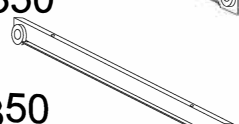

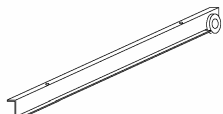


04SP x 1

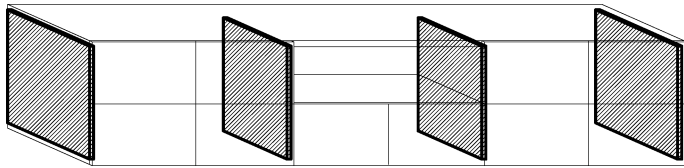


04SPD x 2

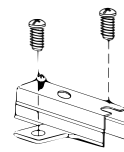


B  8x30 mm.	L3520  3,5x20 mm.	P 709086-P1CF  x12
C  ø15 mm.	E11  6x11 mm.	P7  x4
D 	V760  7x60 mm.	AT  x3
F 	M9  6x9 mm.	P20 Ø20 mm.  x14
L4530  4.5x30 mm.	R2  x4	PST 709007-2FECFM  x2
L418  4x18 mm.	R  x24	L418 4x18 mm.  x4
L4560  4.5x60 mm.	R1  x8	F21 Ø 60 mm h 20 mm  x11
P14 209015-11CM  x1	L415 709086-P1CCL  4x15 mm.	N1 709086-P1CCV  x2
PT  x1	H0E  x10	
L410  4x10 mm.	C0  x10	CV  x2
CL350  x1		
CR350  x1	TA 409044-81CFA  x2	
DR350  x1	ST  x1	
DL350  x1		

1



H0E



x4

B

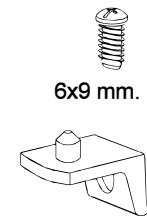


8x30 mm.

x16

M9

R2



6x9 mm.

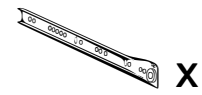
x4

x4

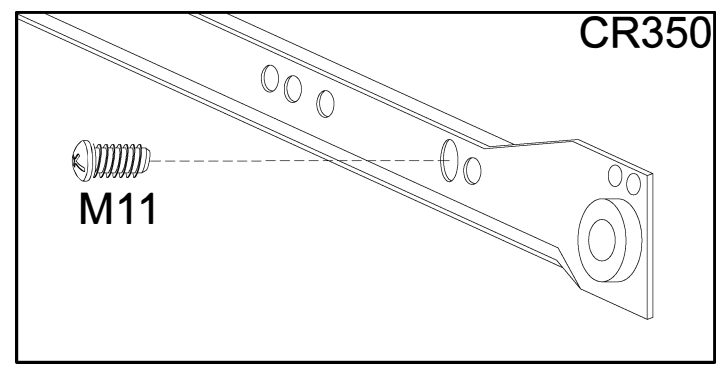
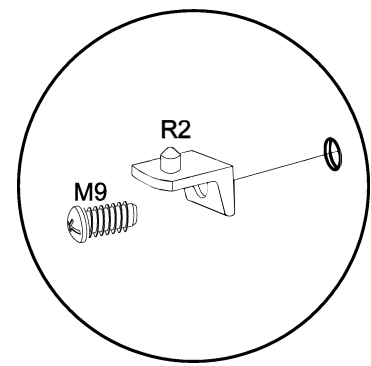
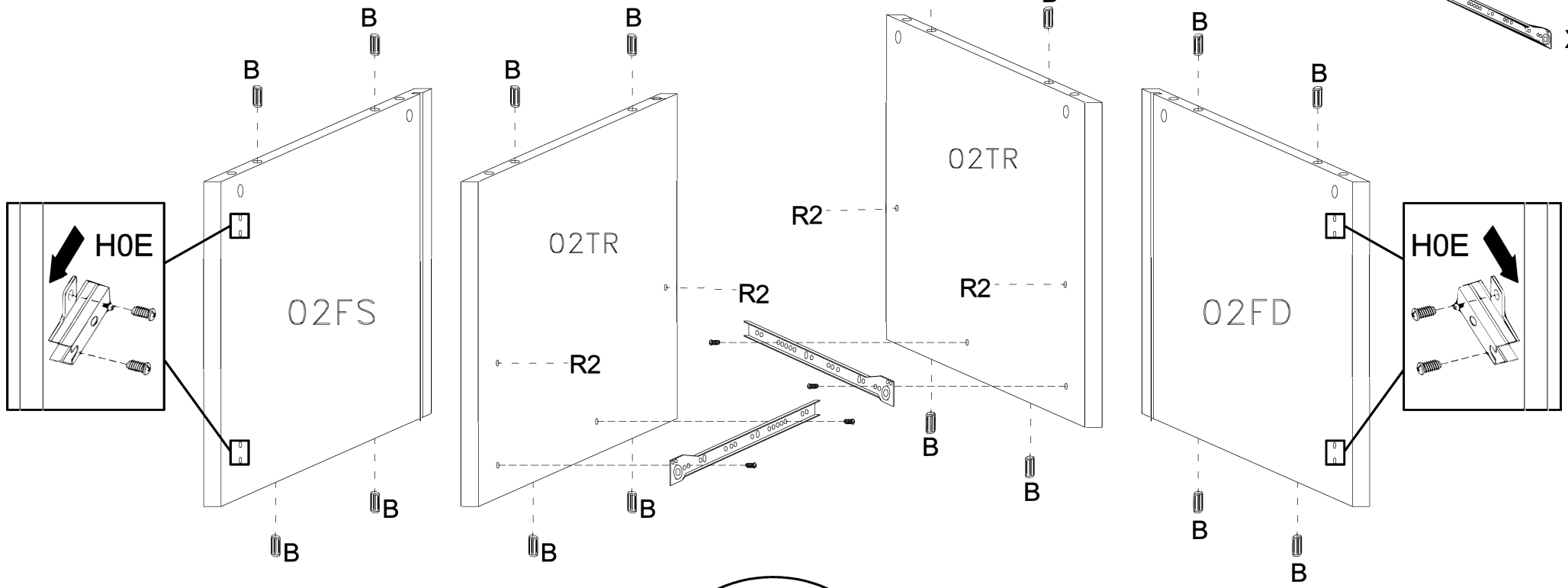


x1

CR350

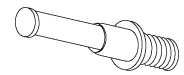


x1

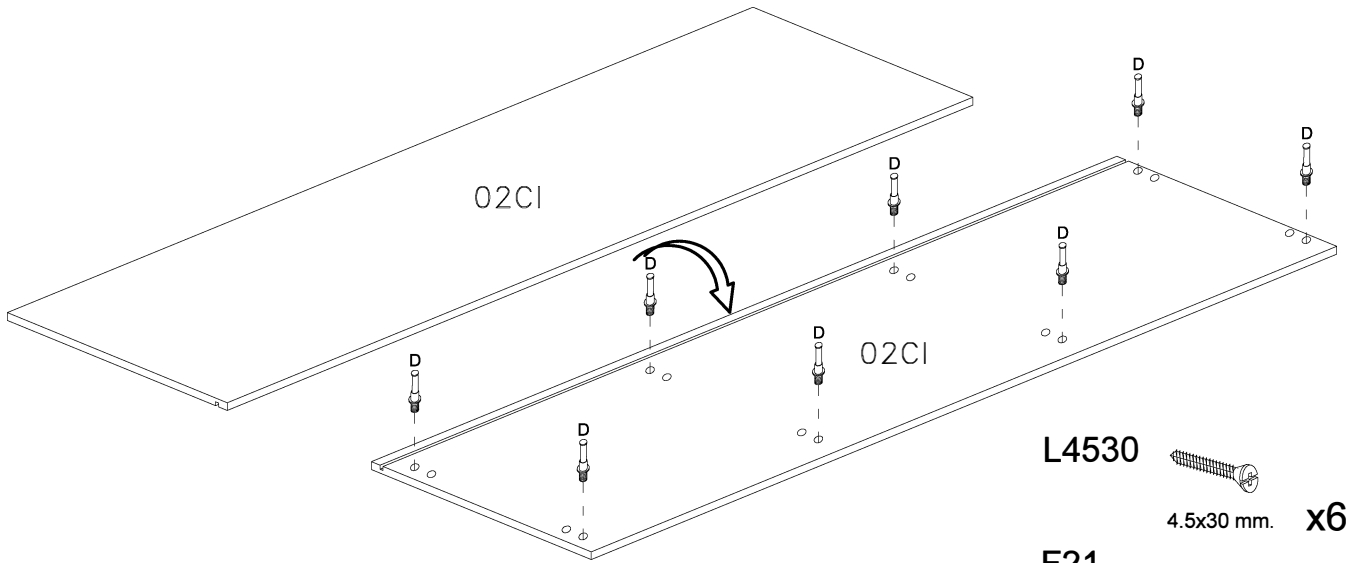
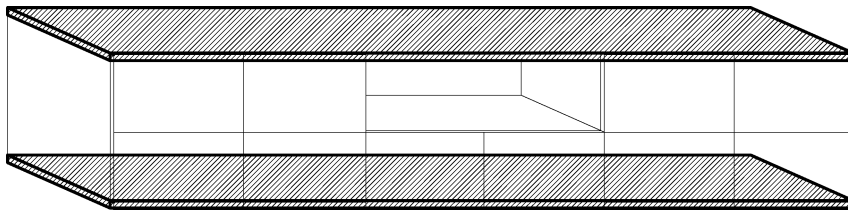


2

D



x8

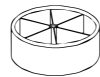


L4530



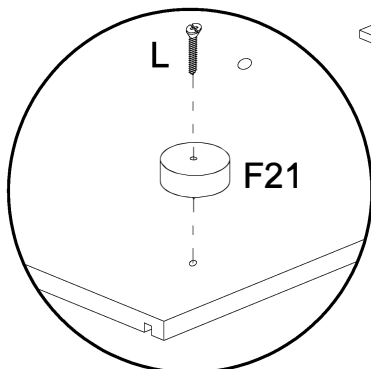
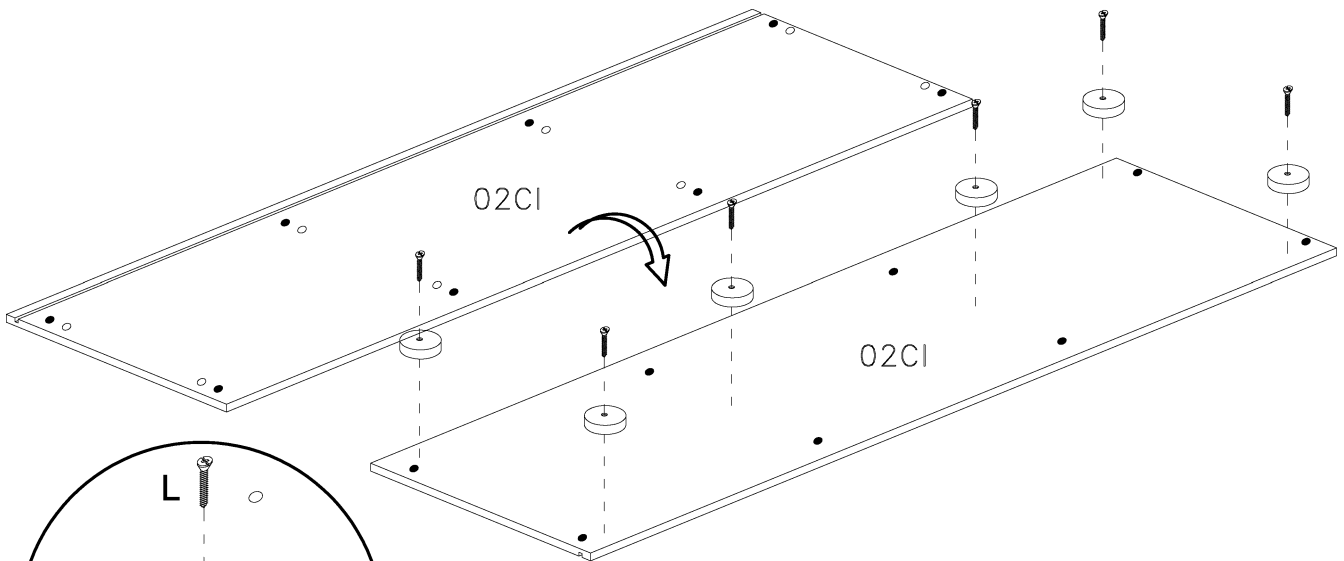
4.5x30 mm. x6

F21



Ø 60 mm
h 20 mm

x6



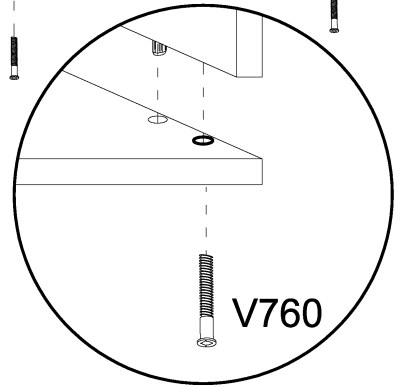
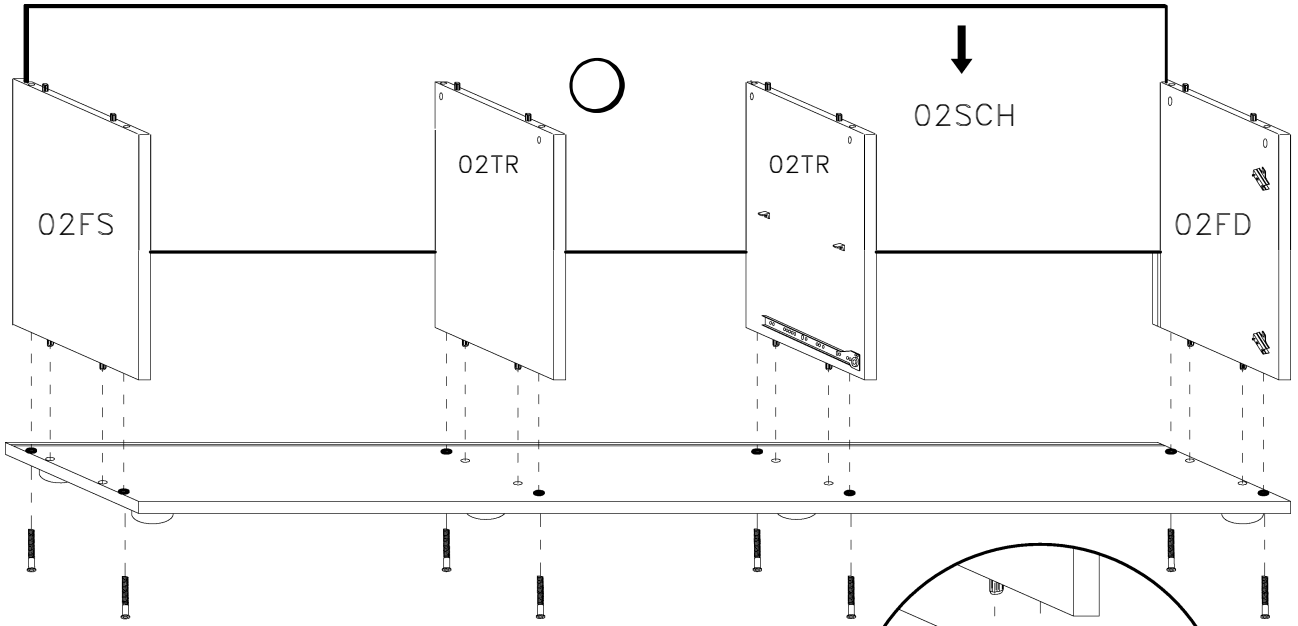
3

V760

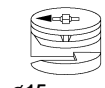


7x60 mm.

x8

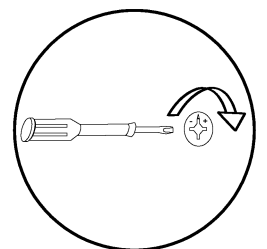
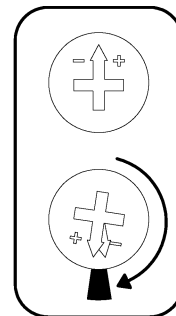
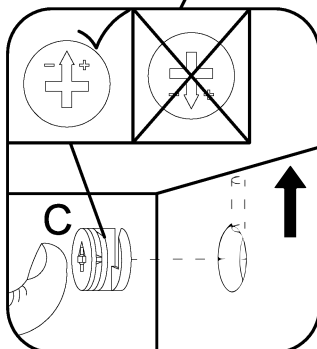
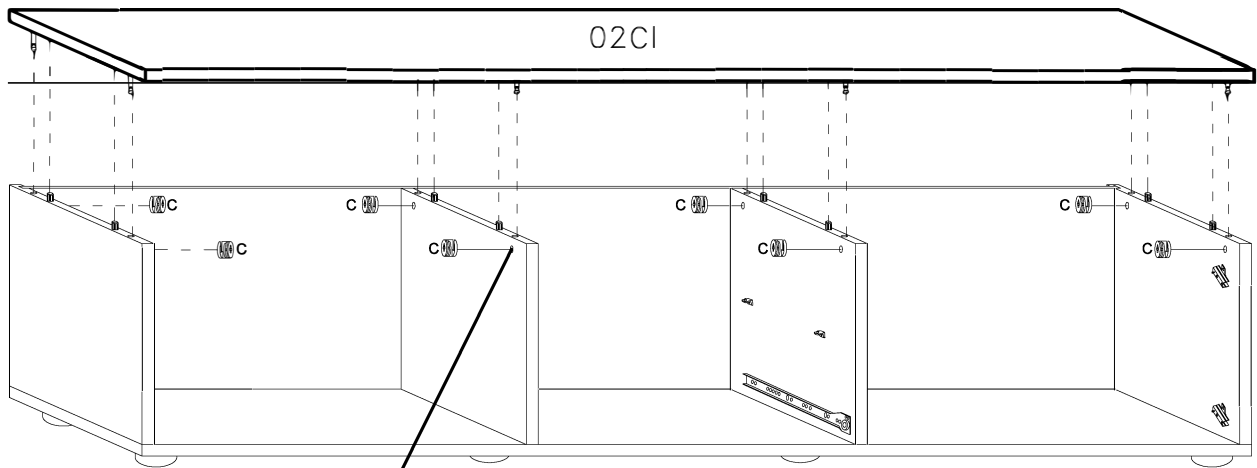


C



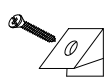



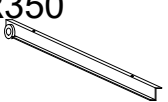
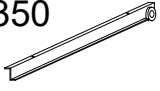

ø15 mm.

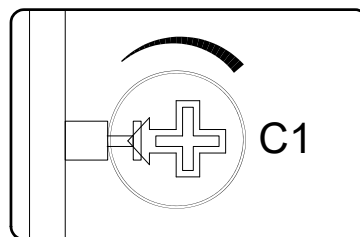
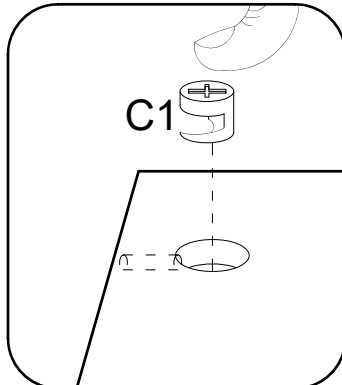
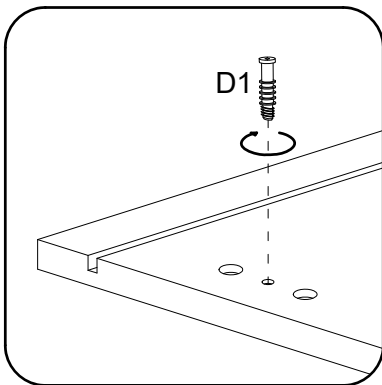
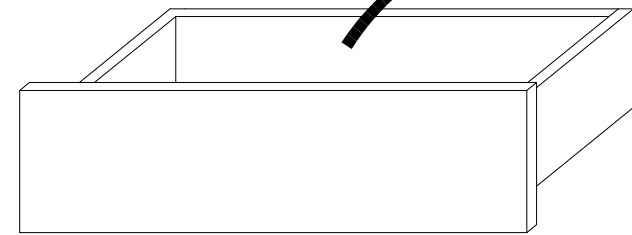
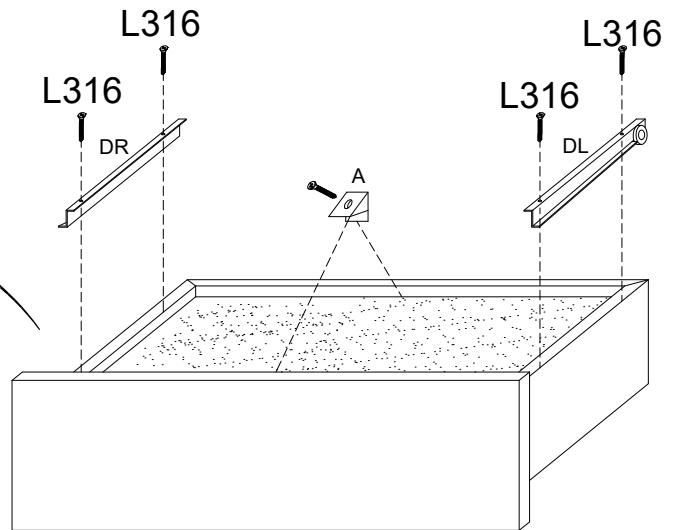
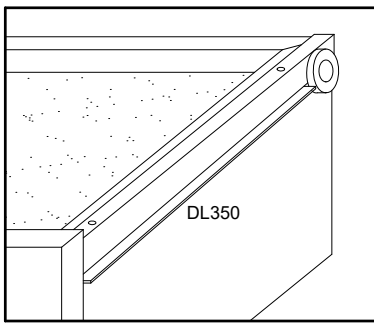
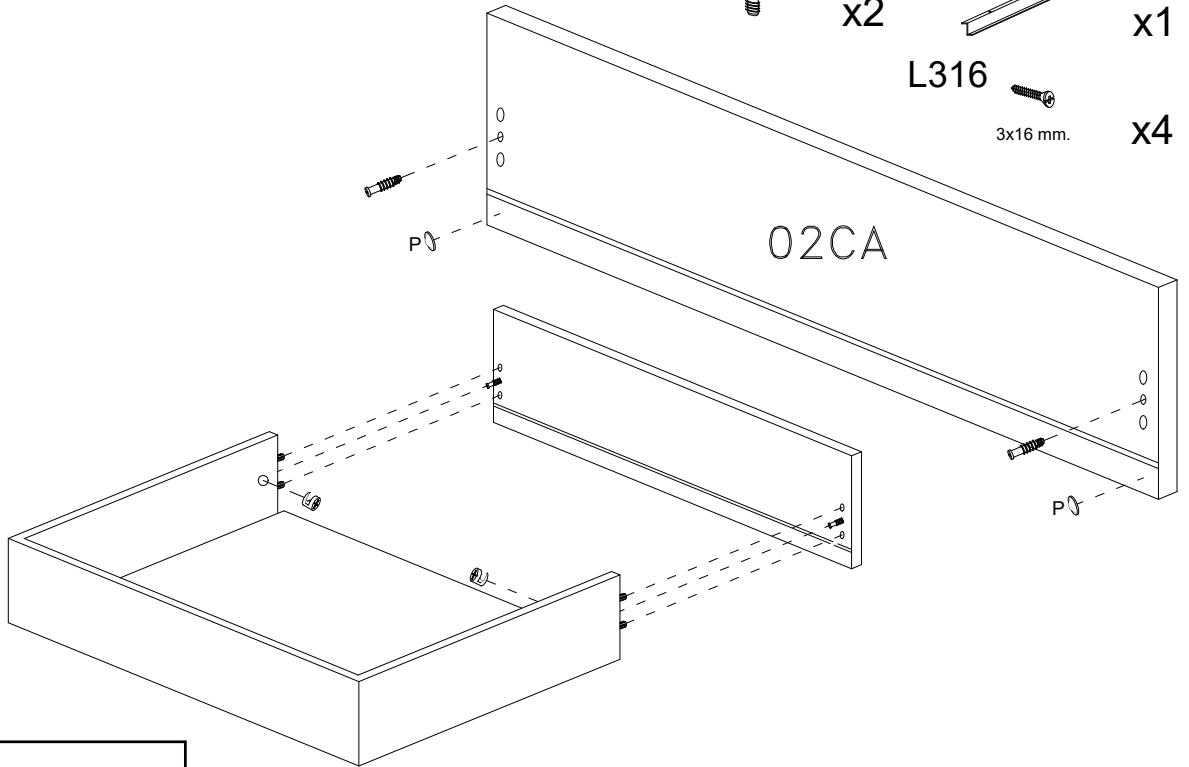
x8



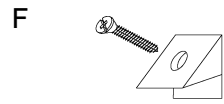
4



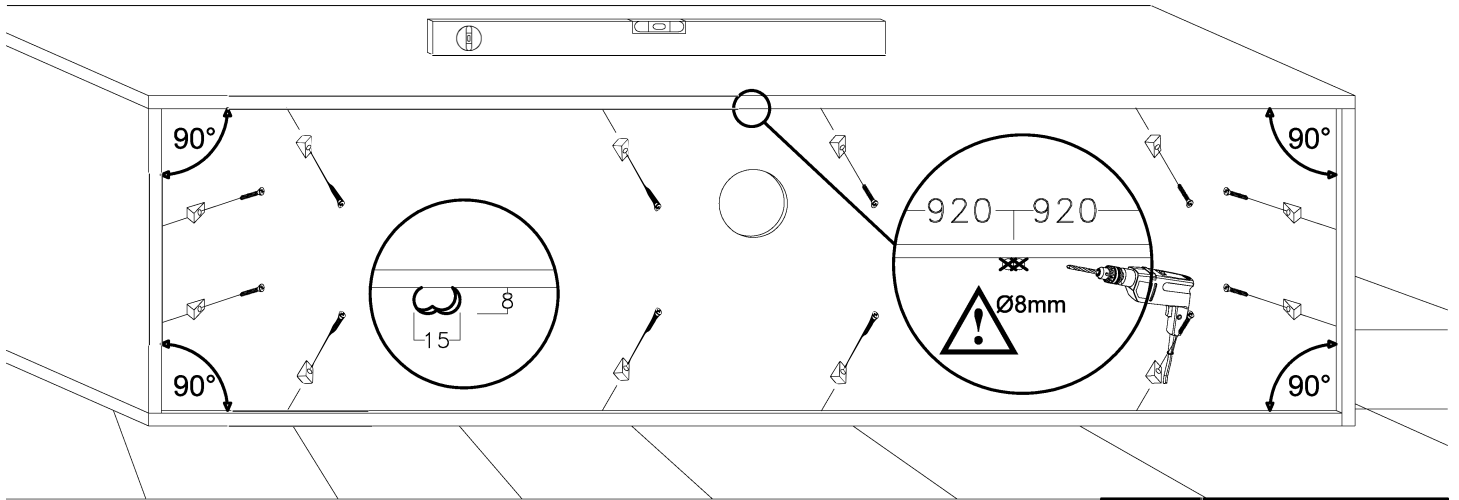
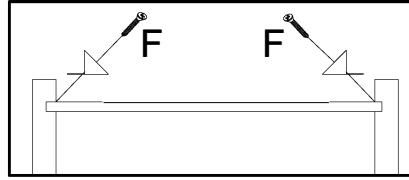
- F  x2
- C1  x2
ø12 mm.
- D1  x2
- P  x2
- DR350  x1
- DL350  x1
- L316  3x16 mm. x4



5



x12



6

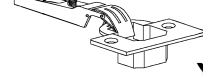
L415



4x15 mm.

x8

C0

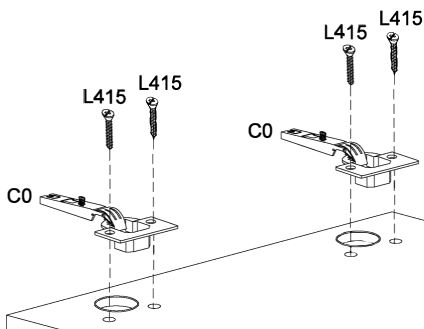
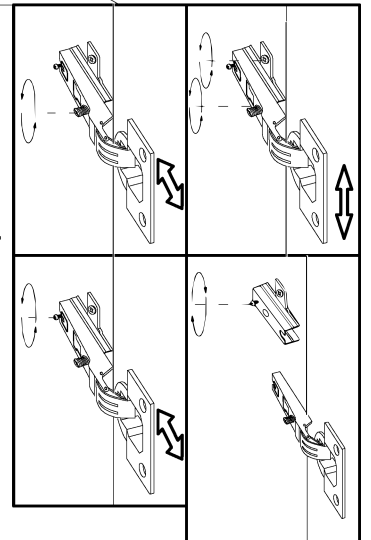


x4

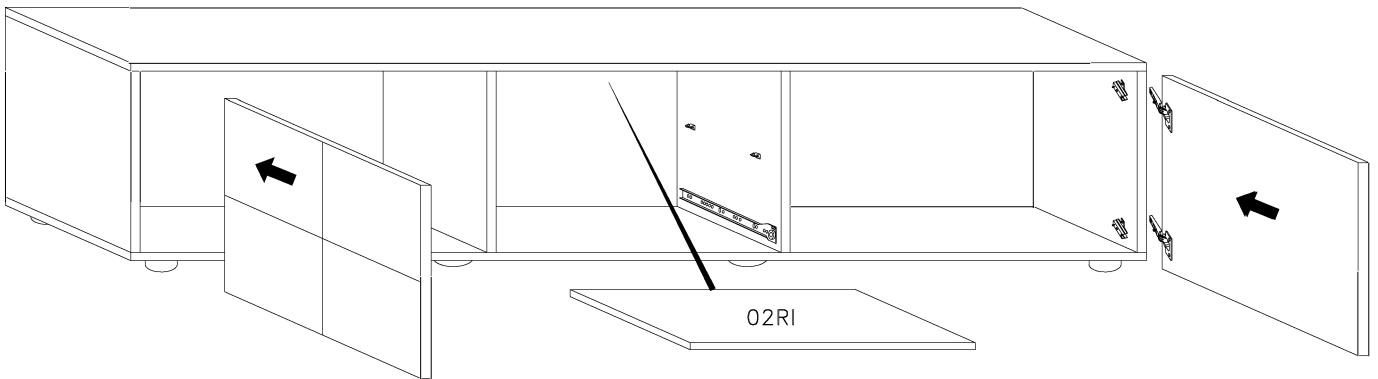
P



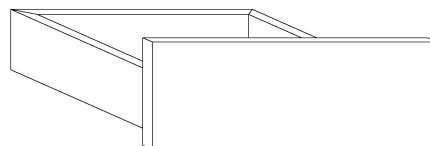
x4



02SP

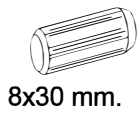


02RI



7

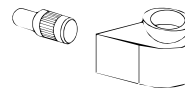
B



8x30 mm.

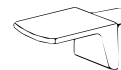
x24

R1

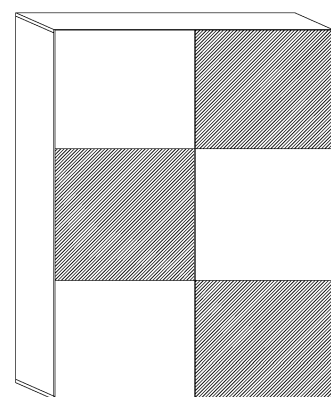
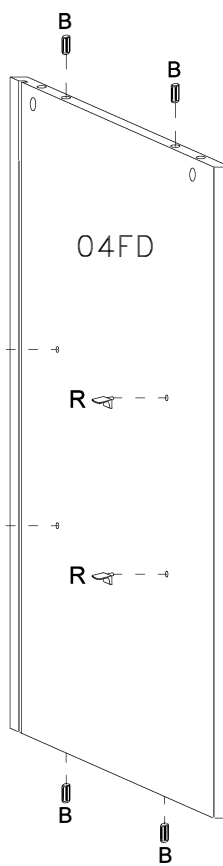
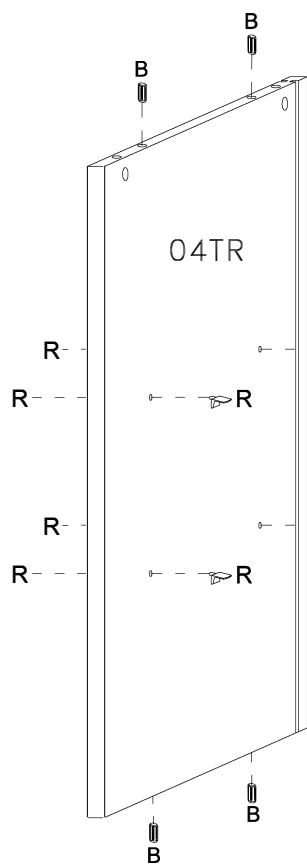
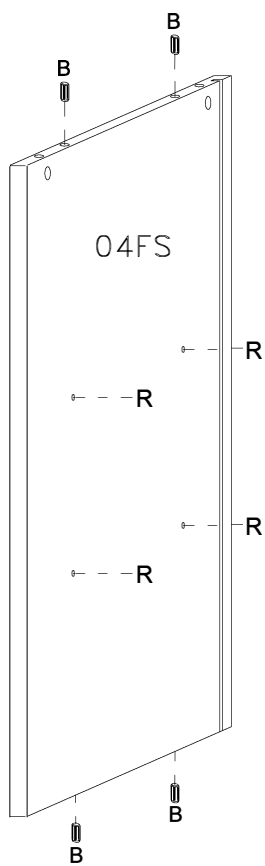
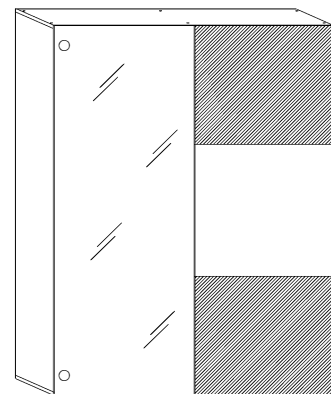
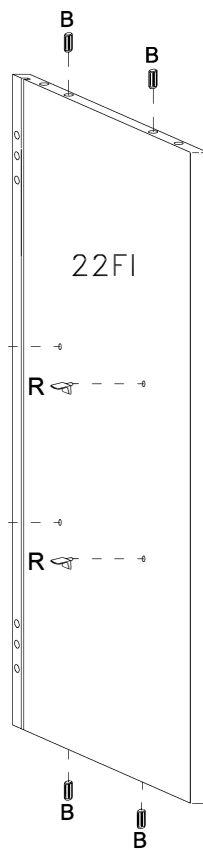
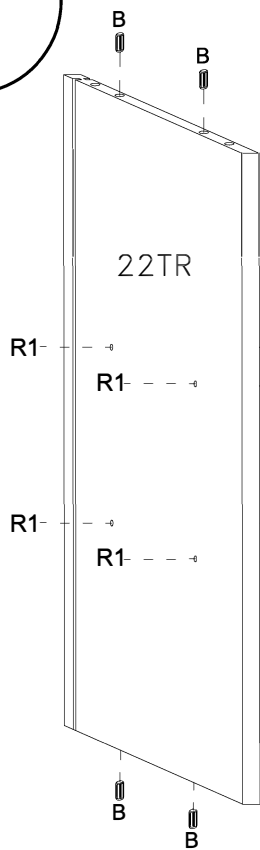
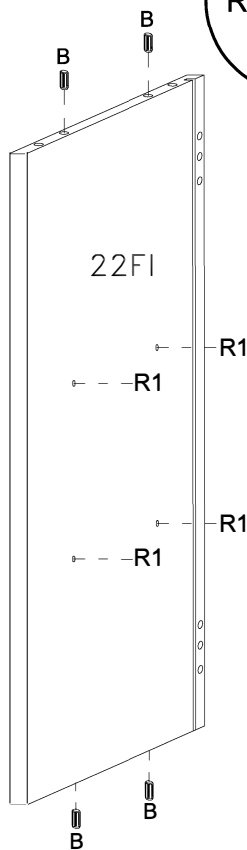
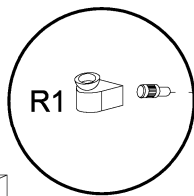


x8

R



x24

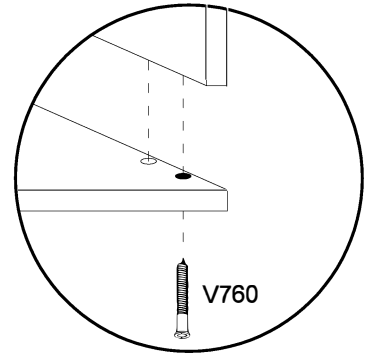
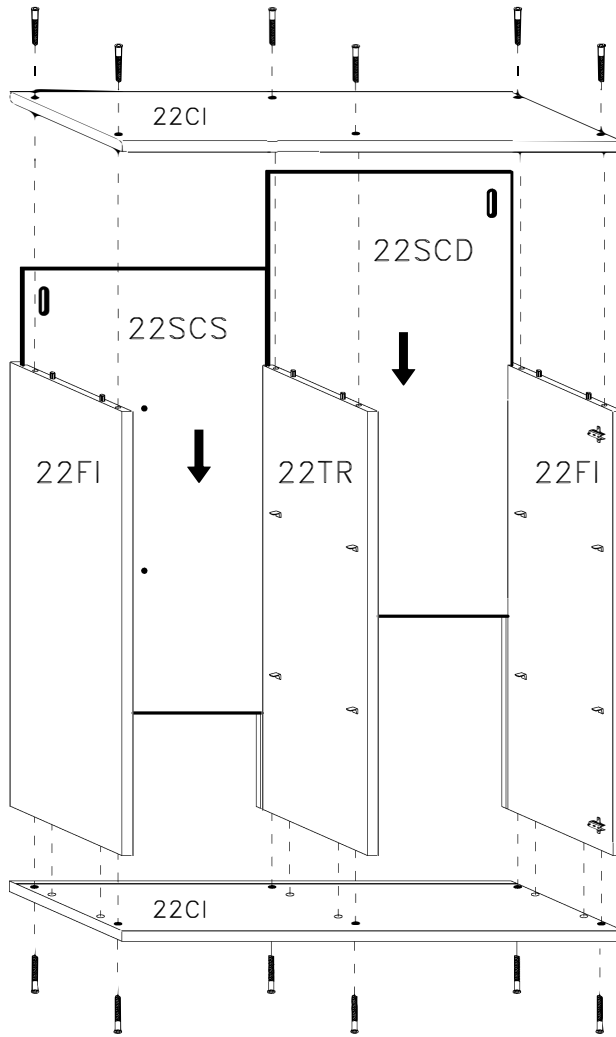
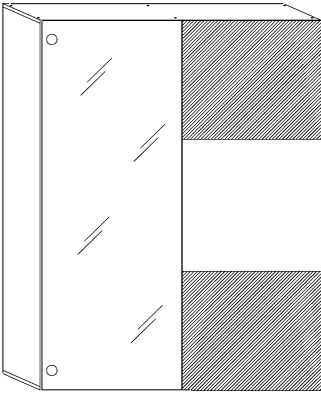


8

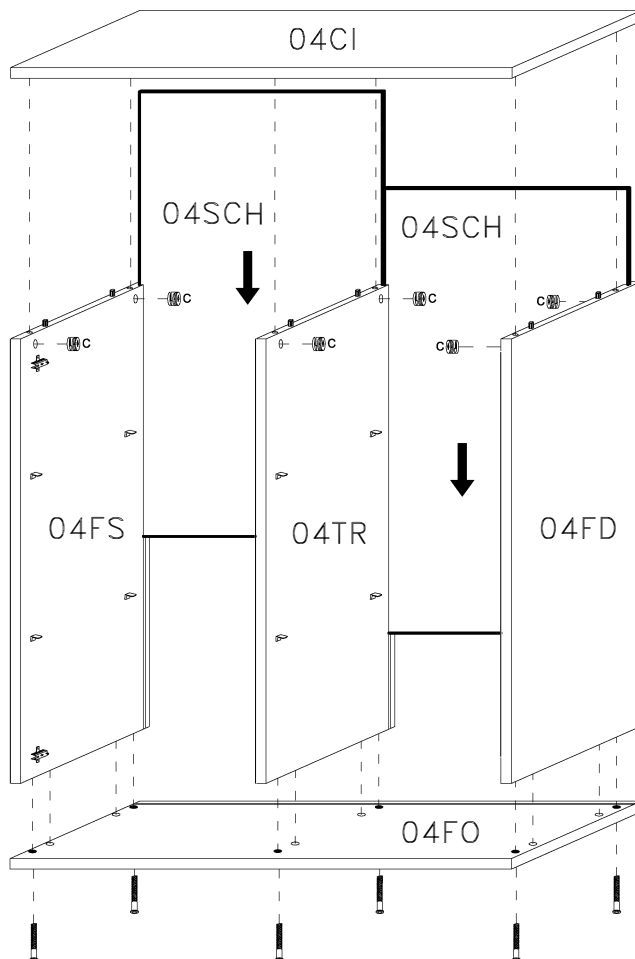
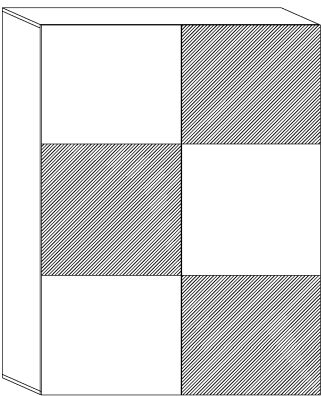
V760



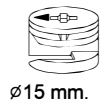
x18



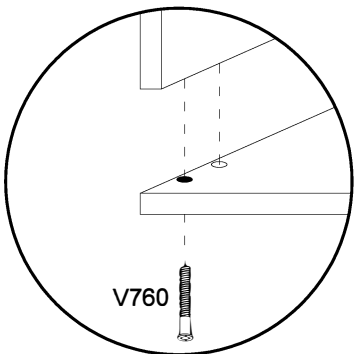
V760



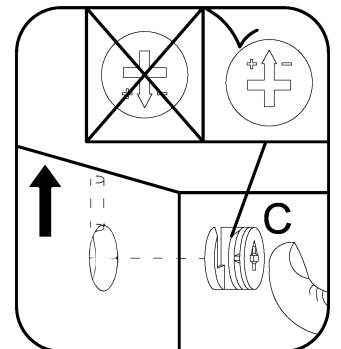
C



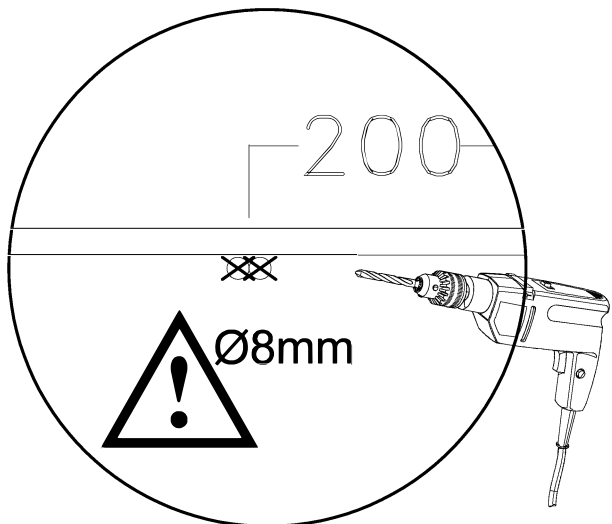
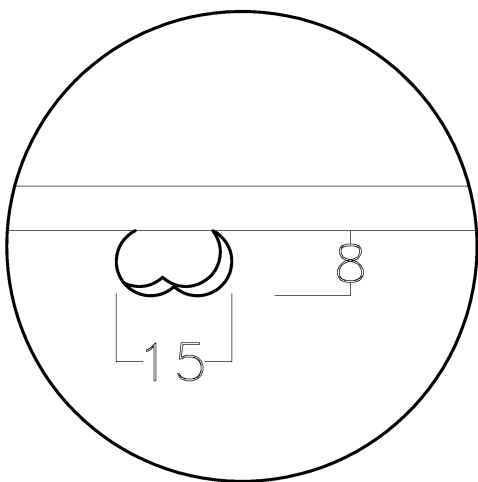
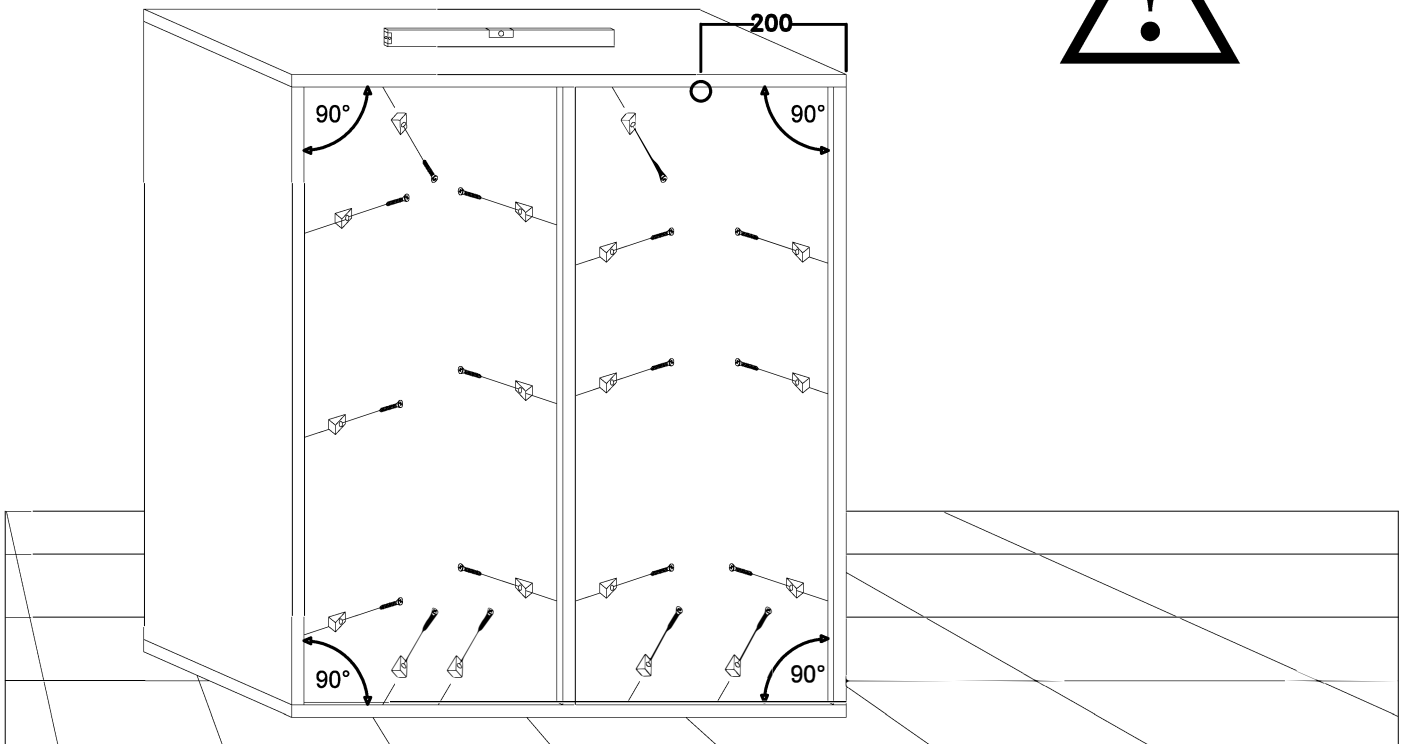
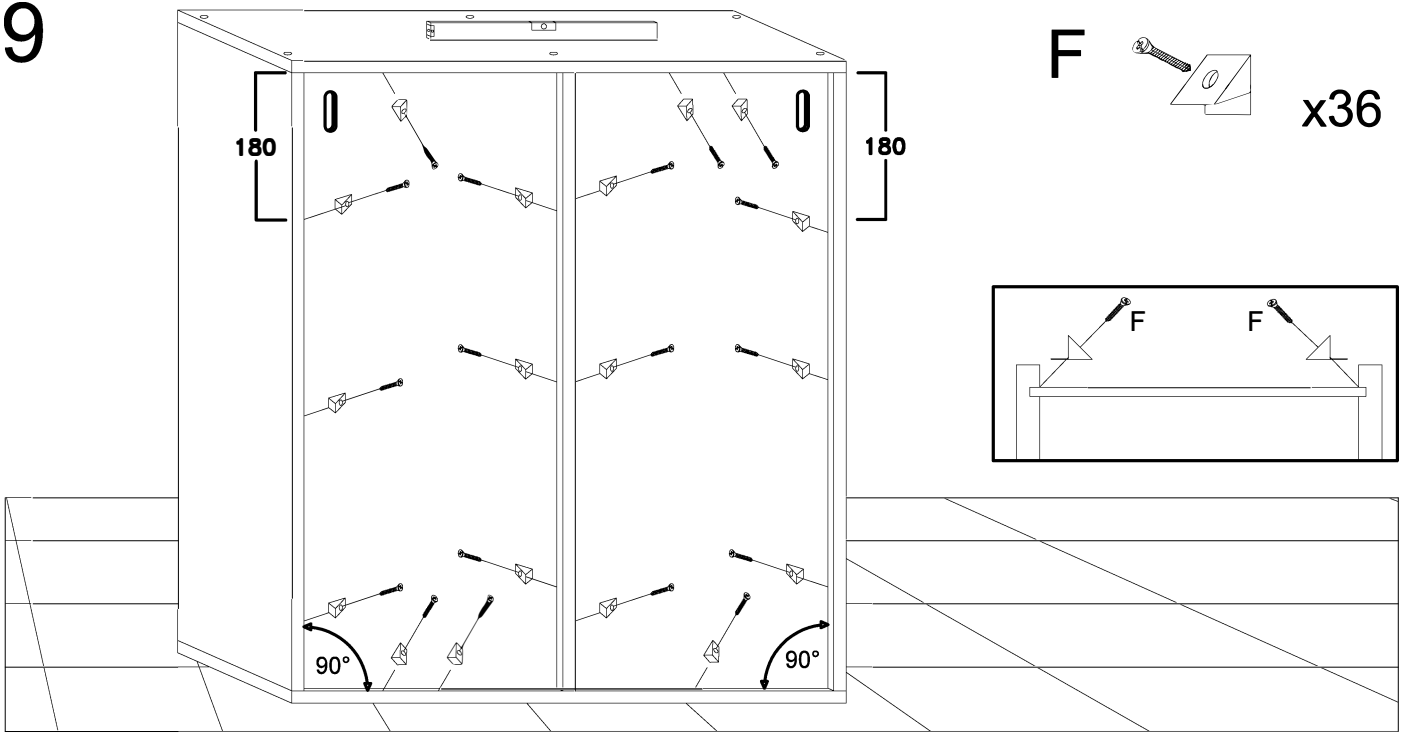
x6

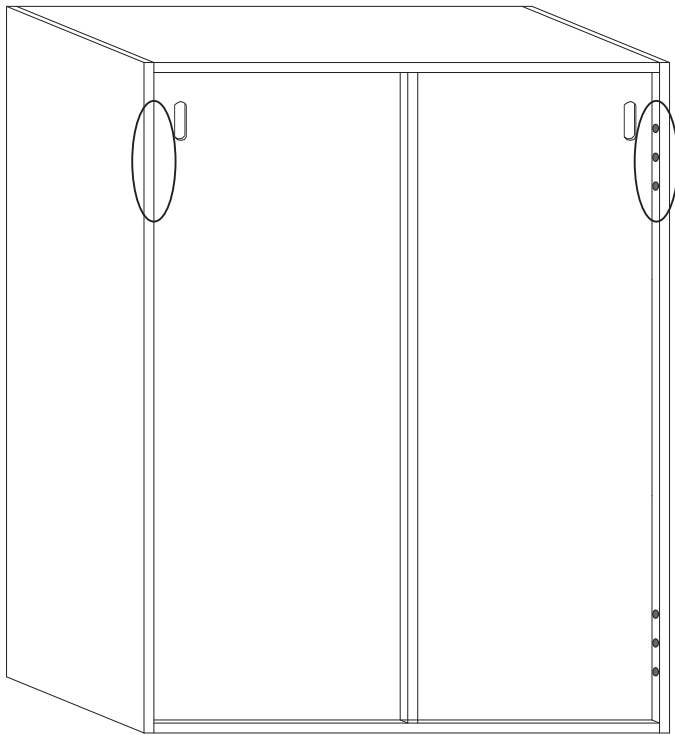


V760

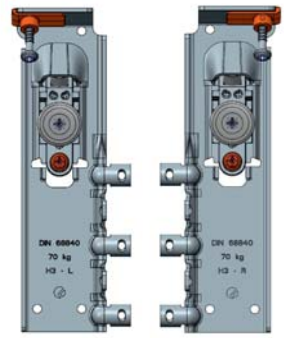


9





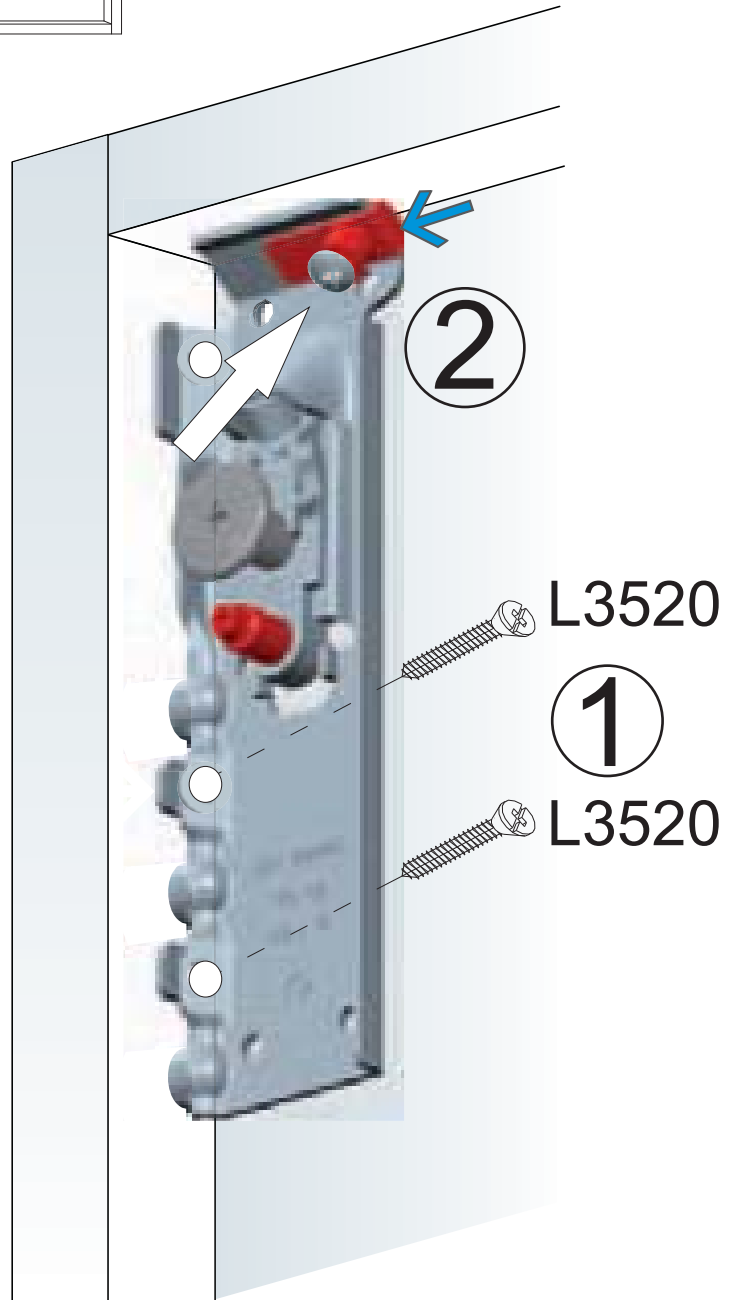
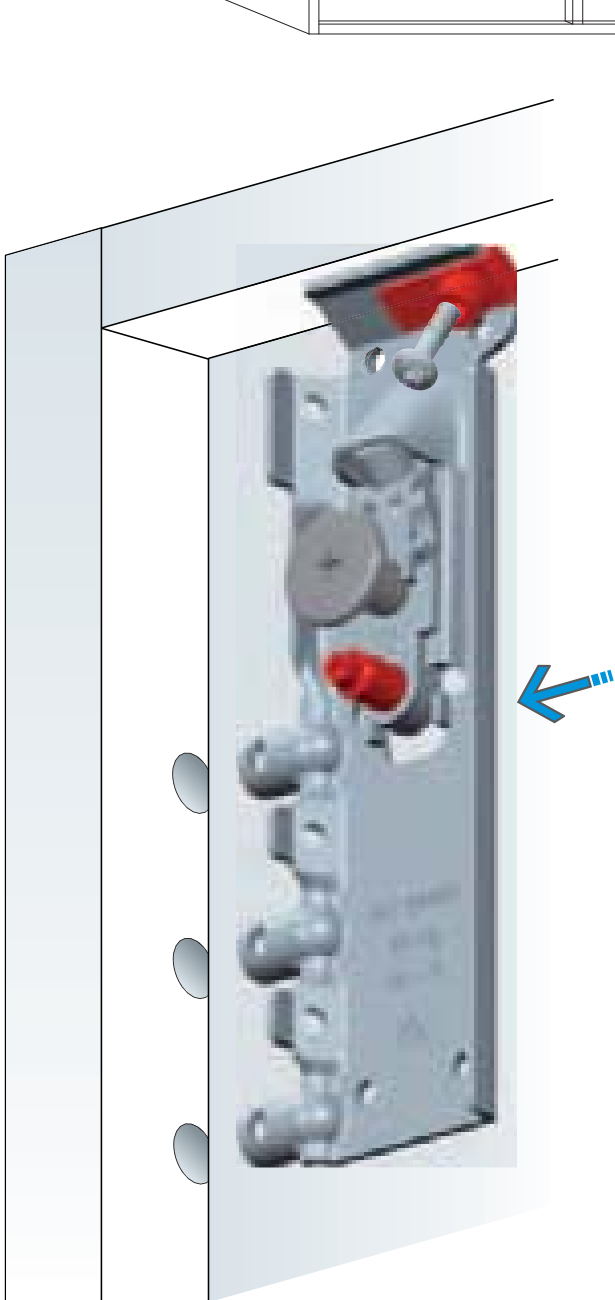
AT



L3520



3,5x20 mm. x4



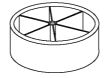
10

L4530



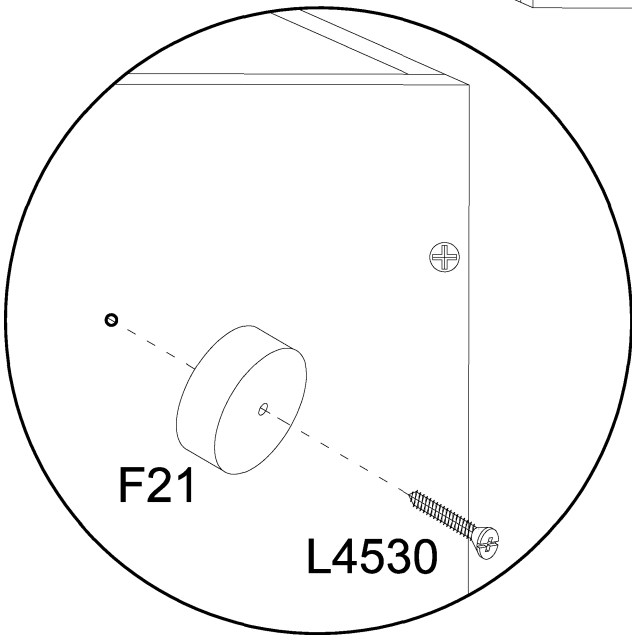
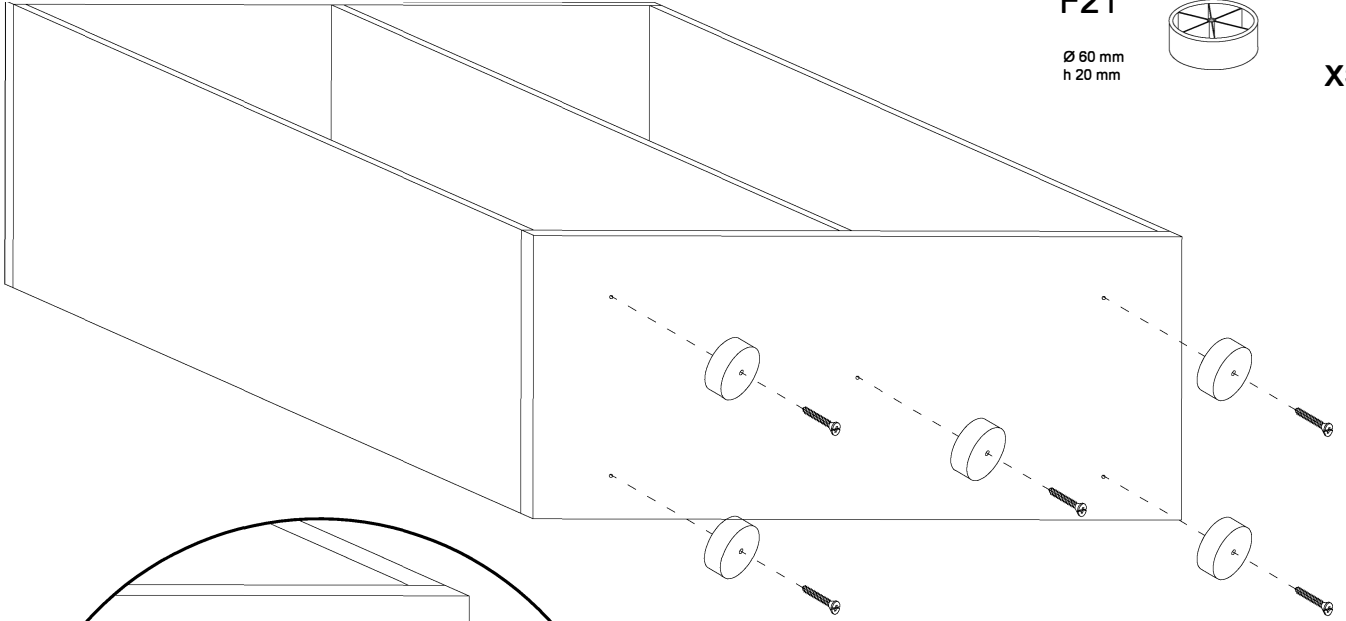
4.5x30 mm. x5

F21



Ø 60 mm
h 20 mm

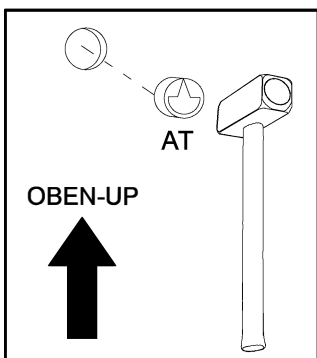
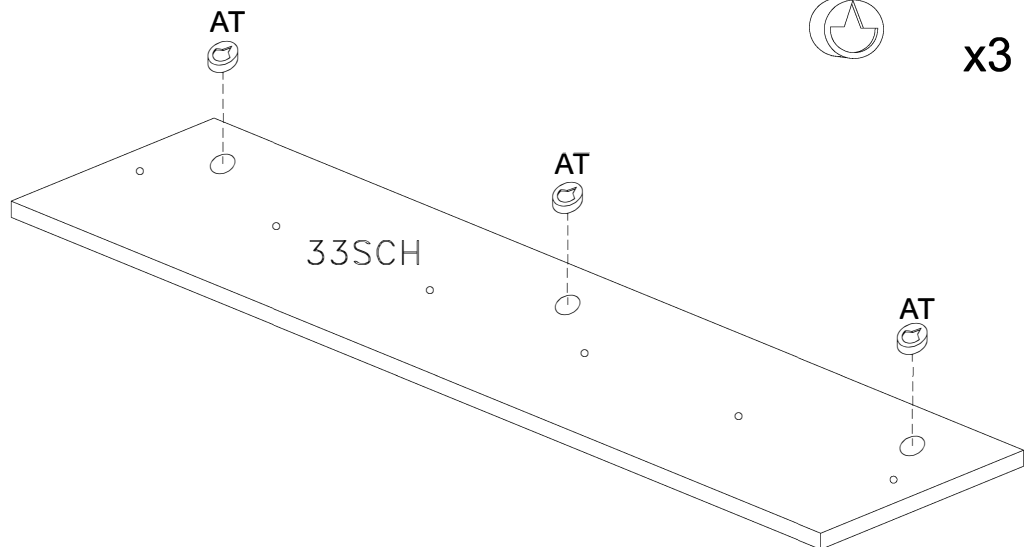
x5



AT

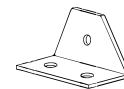


x3



11

P7



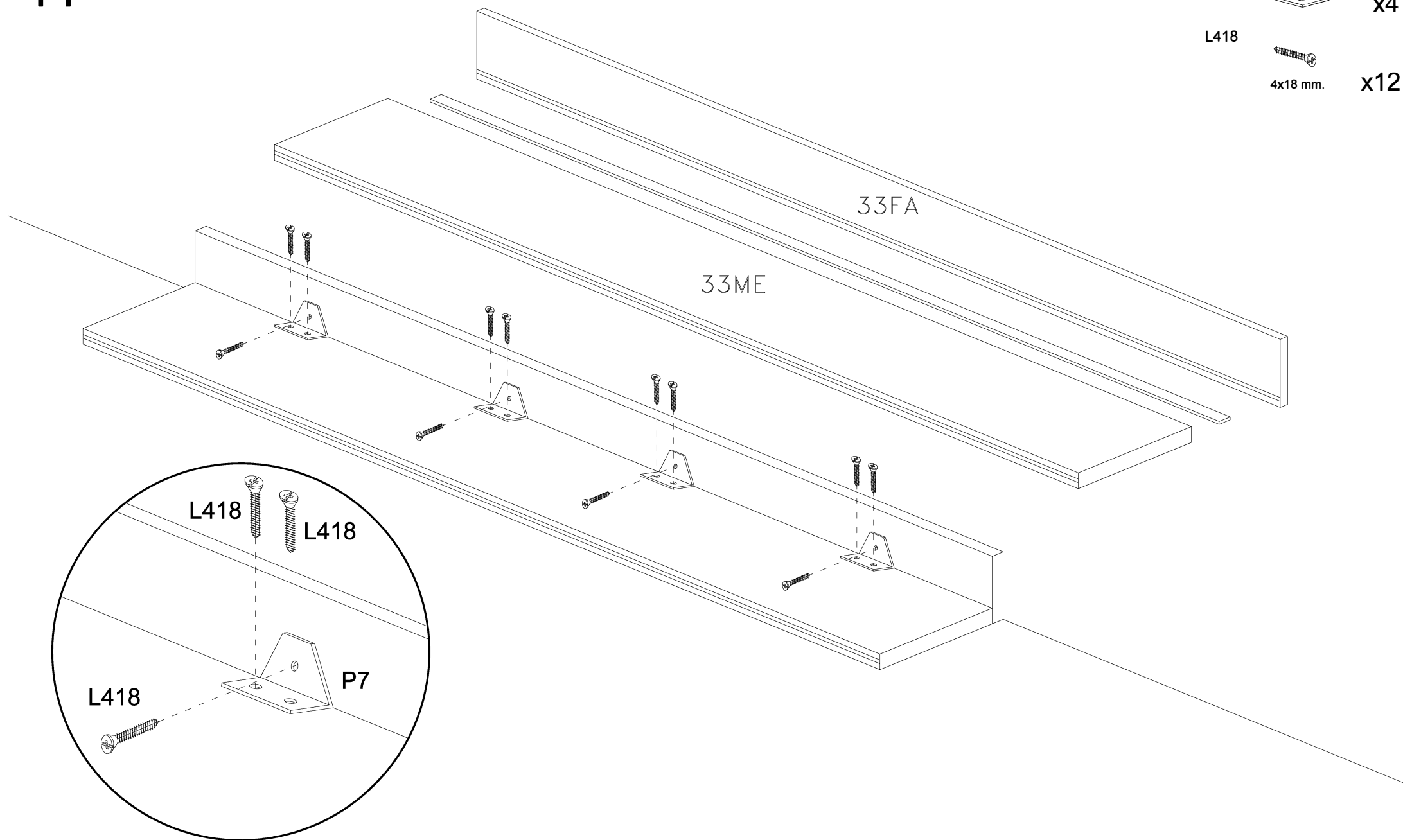
x4

L418



4x18 mm.

x12



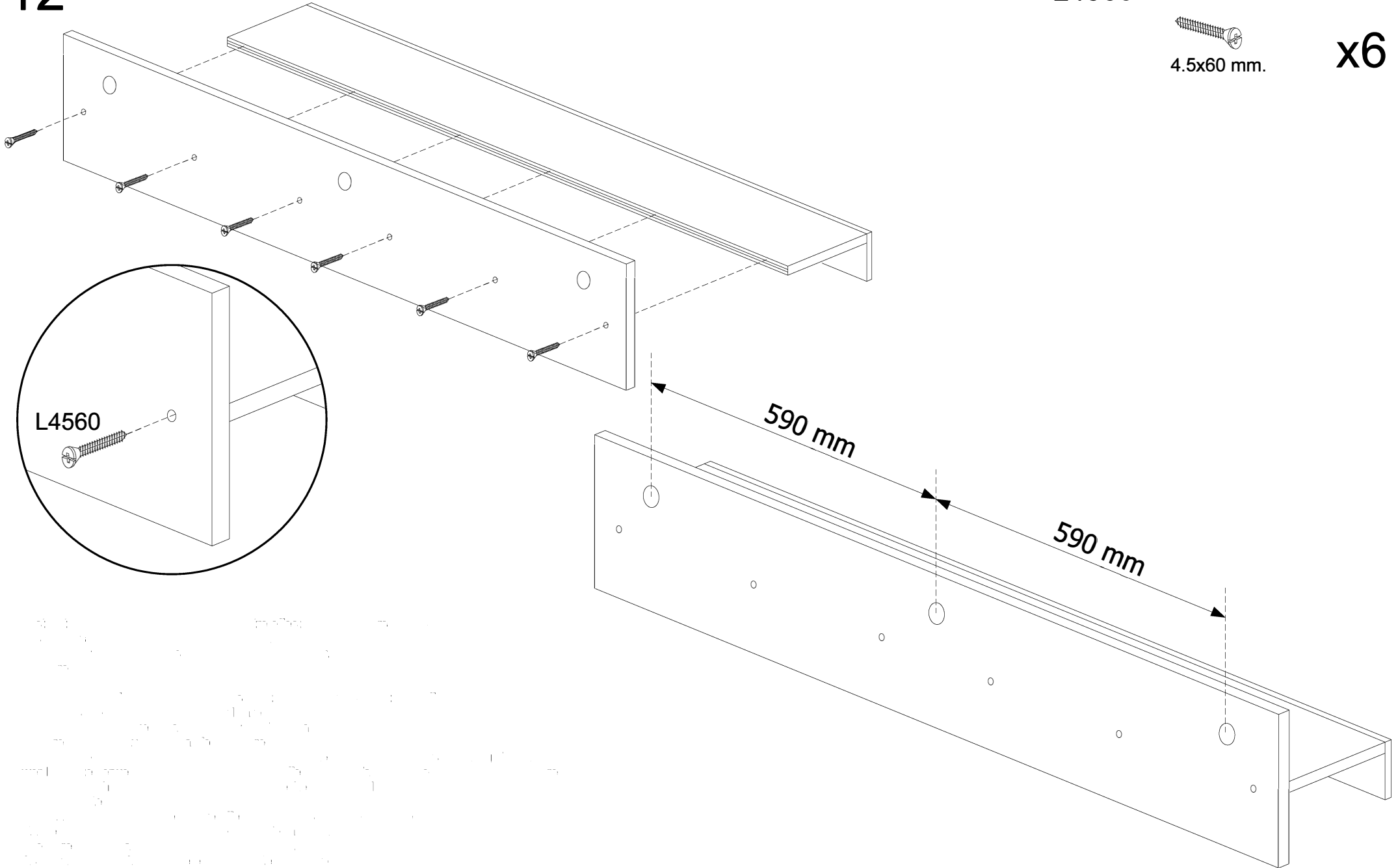
12

L4560

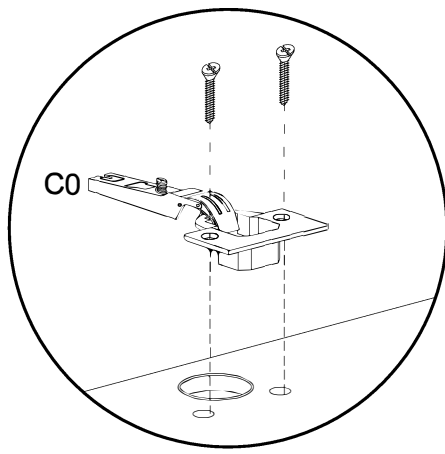



4.5x60 mm.

x6



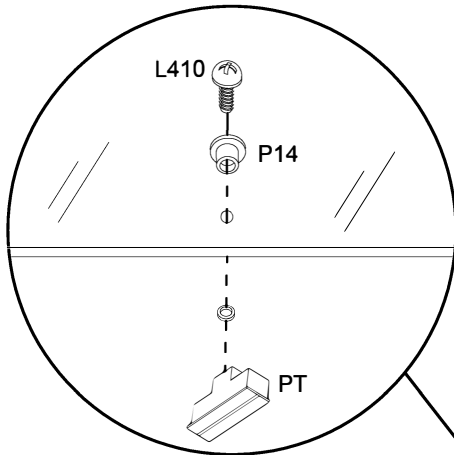
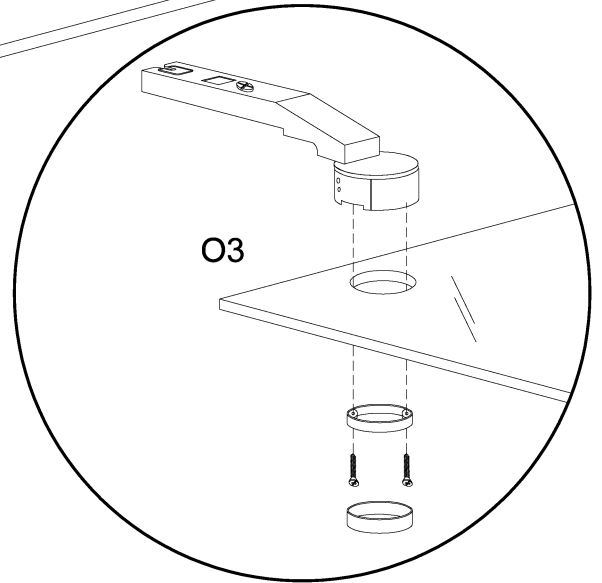
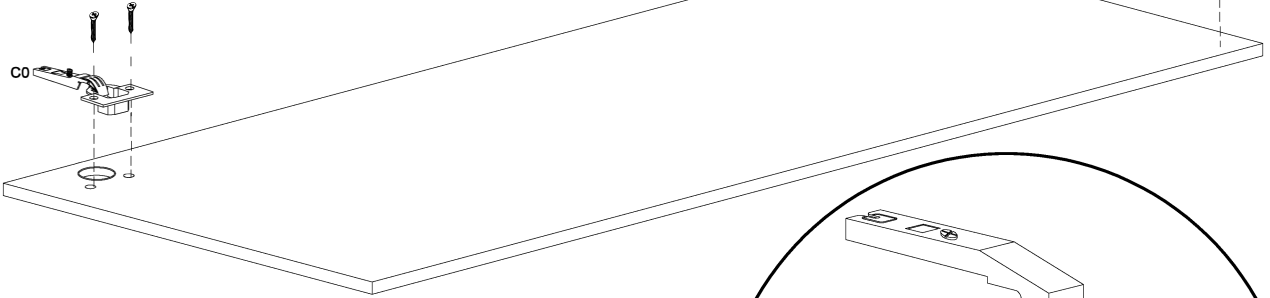
13




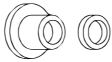
C0  x6

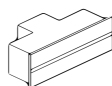
L15  4x15 mm. x12


P  x3

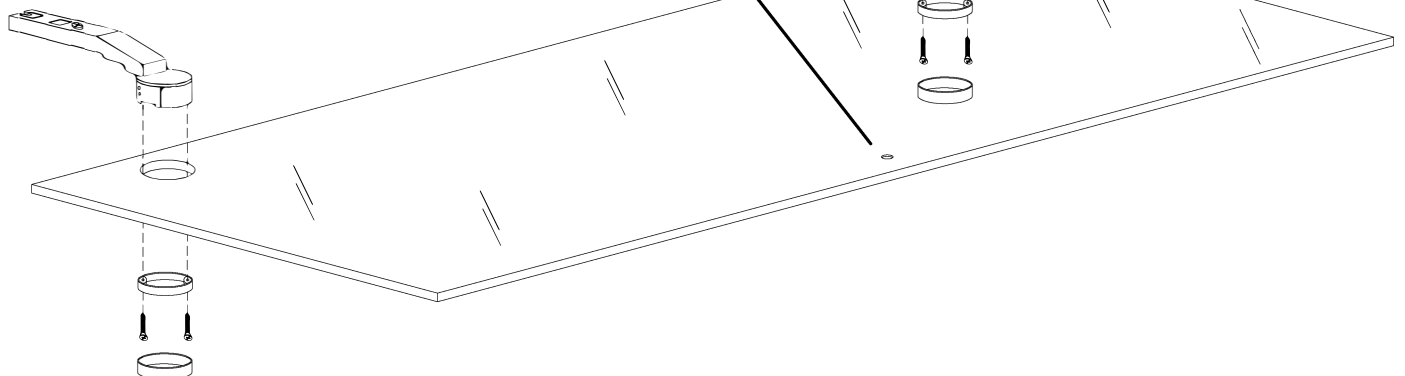


O3  x2

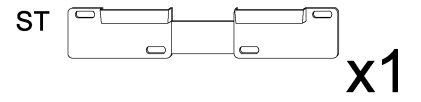
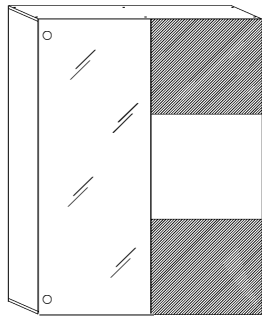
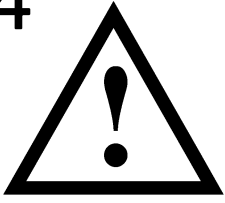
P14  x1

PT  x1

L410  4x10 mm. x1



14



748 mm.

712 mm.

68 mm.

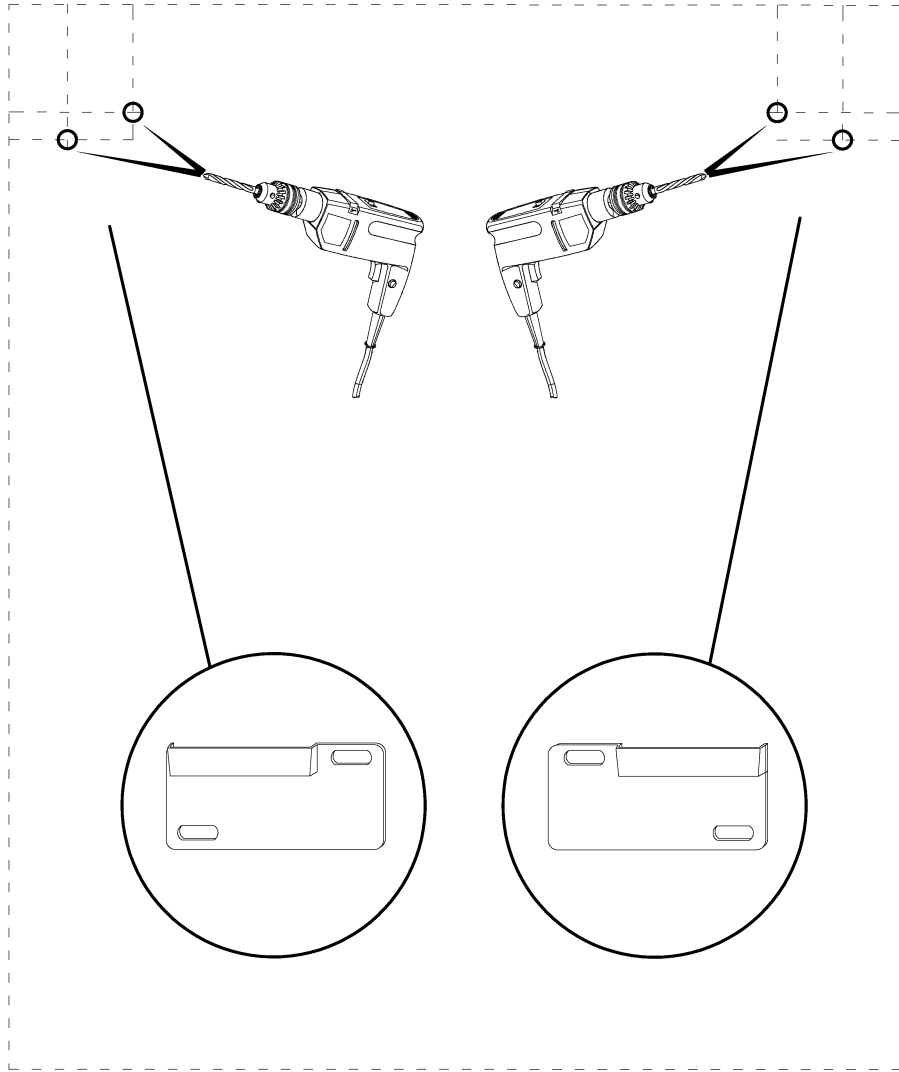
644 mm.

32 mm. 36 mm.

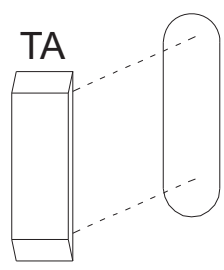
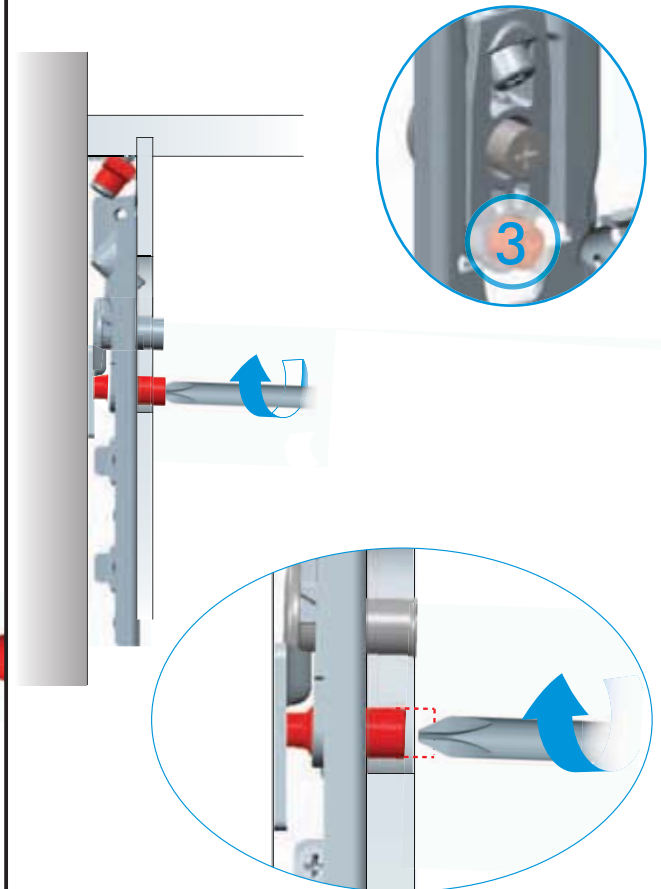
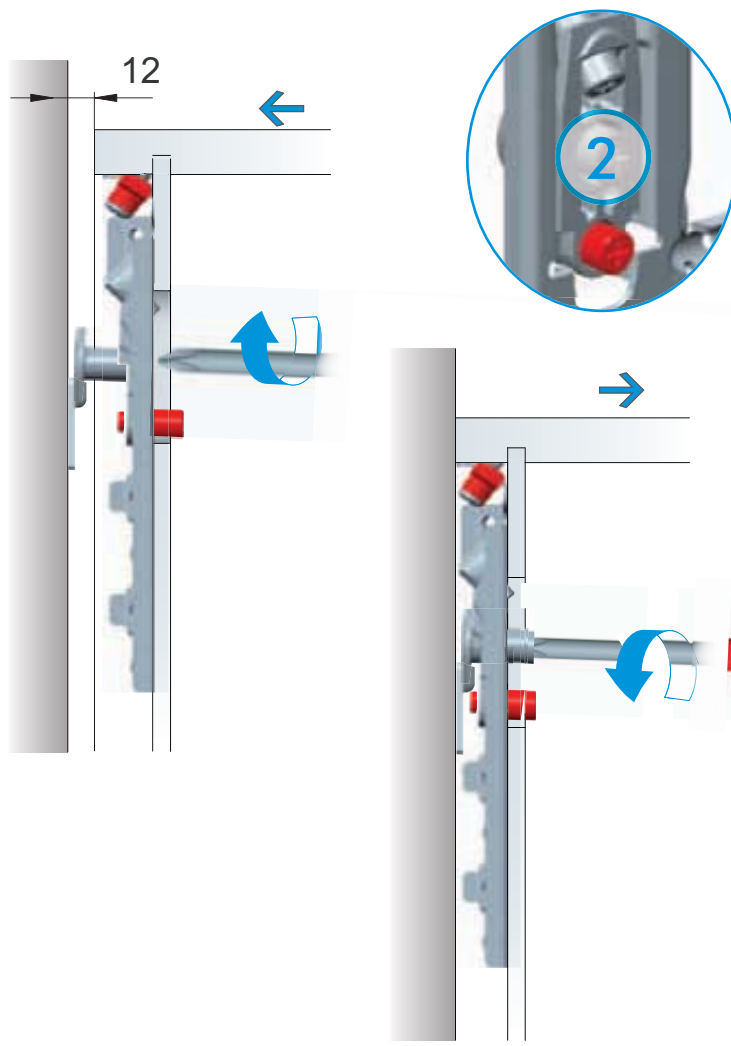
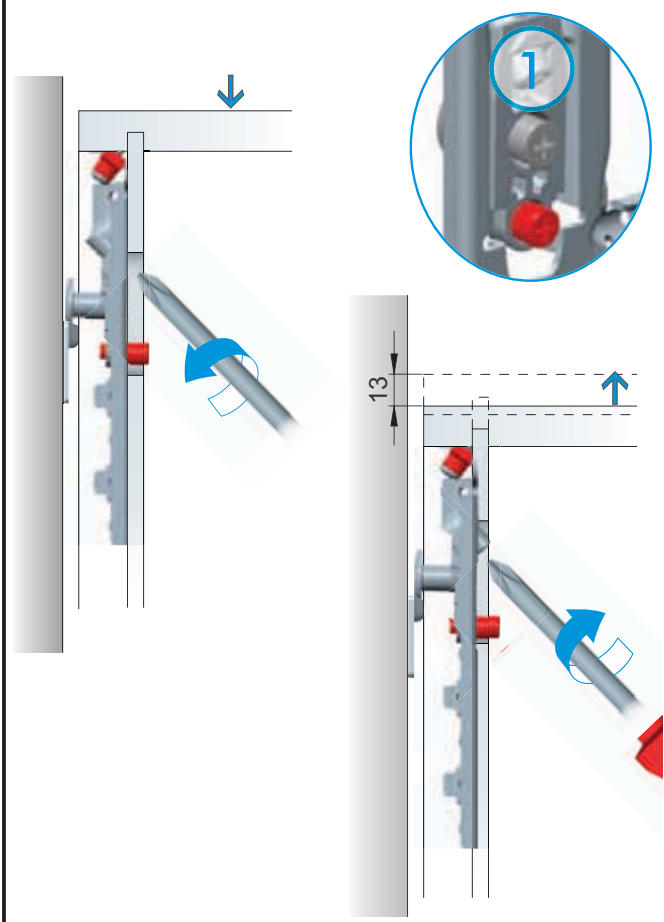
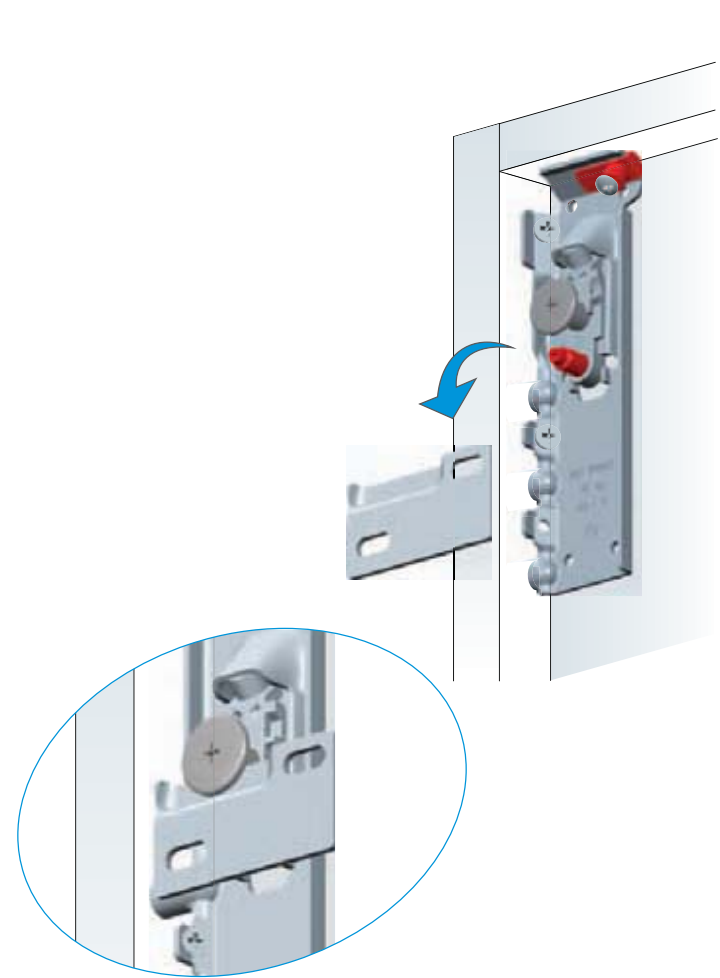
36 mm. 32 mm.

102 mm. 86 mm.

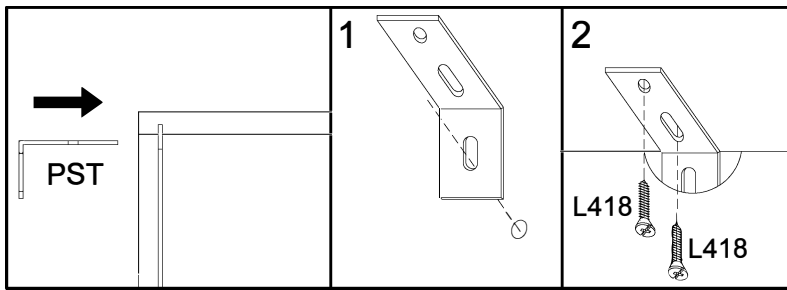
86 mm. 16 mm.



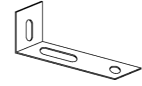
1032 mm.



17



PST



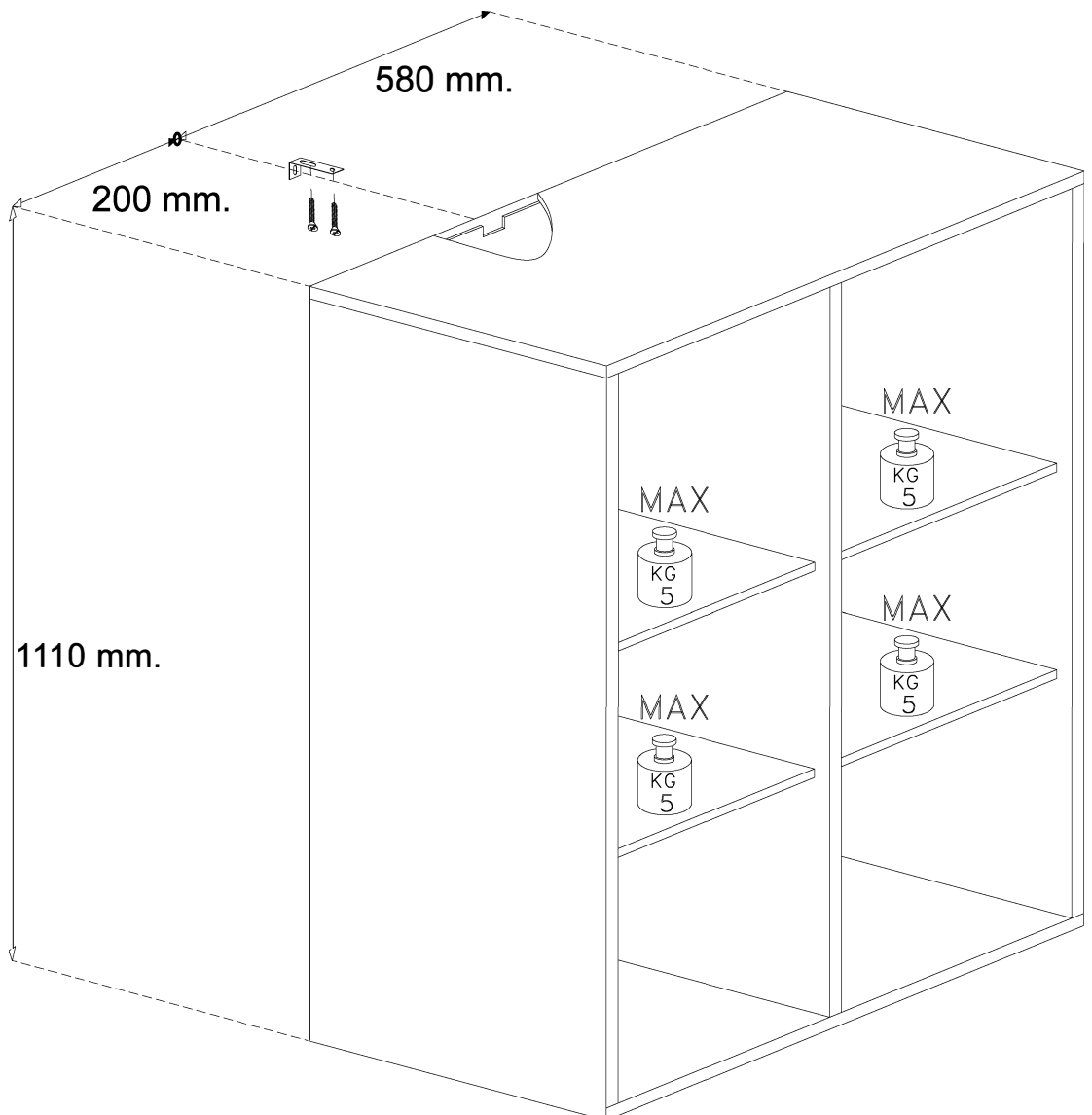
x2

L418

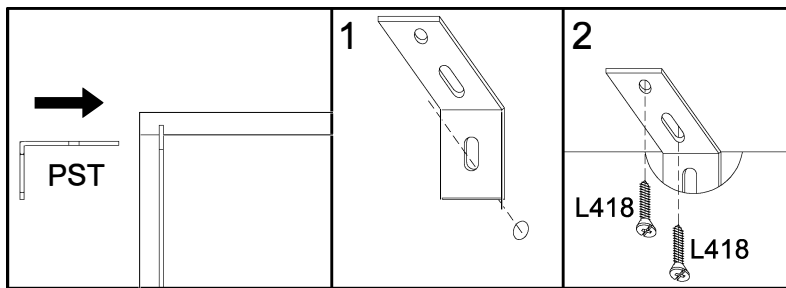


x2

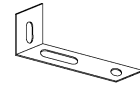
4x18 mm.



18



PST



x2

L418



x2

4x18 mm.

